

## MULTI VOLTAGE LED WORKLAMPS

### 12-80V LED WORKLAMP



**CURTIS**



#### DESCRIPTION

This low power draw LED worklamp outputs an amazing 950 lumens, providing incredible brightness. The durability and long, maintenance-free life of this lamp make it an affordable and reliable addition to your vehicle.

#### APPLICATION

This worklamp is designed for use in the materials handling market and will work with fully charged lead acid traction batteries.

#### FEATURES

- 950 Lumen light intensity.
- PMMA Lens.
- 5 x 3W LED 15W Flood Beam.
- High quality aluminium housing.
- Ultra long life span: 30,000 operating hours (est).

#### SPECIFICATIONS

- 110mm x 135mm x 41mm (l, w, h).
- Operating temperature:  $-45^{\circ}\text{C}$  to  $+85^{\circ}\text{C}$ .
- IP65 rated.
- 500g, single bolt fixing.

#### UK PART NUMBER

18438453: 12-80V

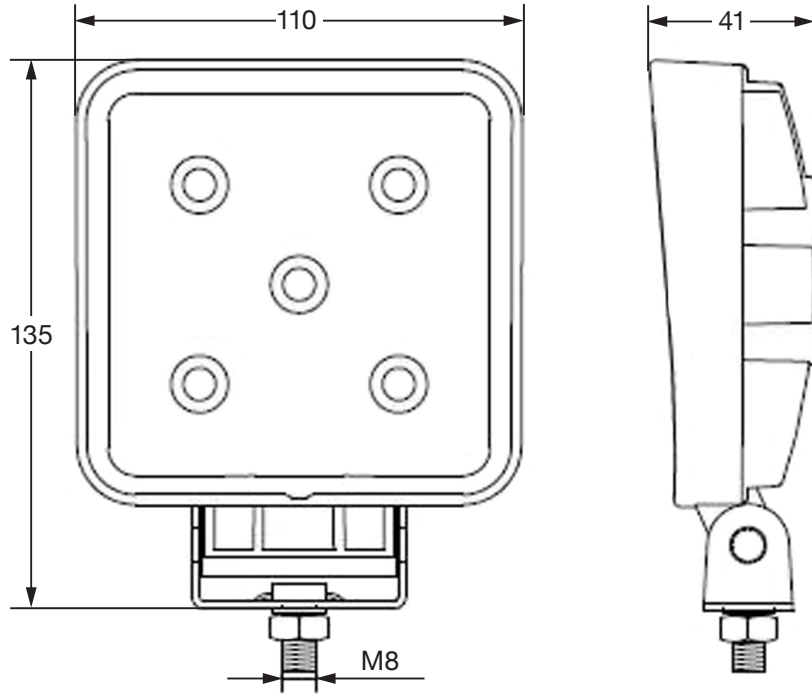
#### WARRANTY

Two year limited warranty from time of delivery.

**CURTIS INSTRUMENTS, (UK) LTD.**  
5 UPPER PRIORY STREET  
NORTHAMPTON NN1 2PT, ENGLAND  
TEL 44 (0) 1604-629755  
FAX 44 (0) 1604-629876

# 12-80V LED WORKLAMP

## DIMENSIONS mm



## FLOOD BEAM

