



CURTIS

Power Conversion



Battery Chargers

Model 1622



Model 1622

Battery Chargers

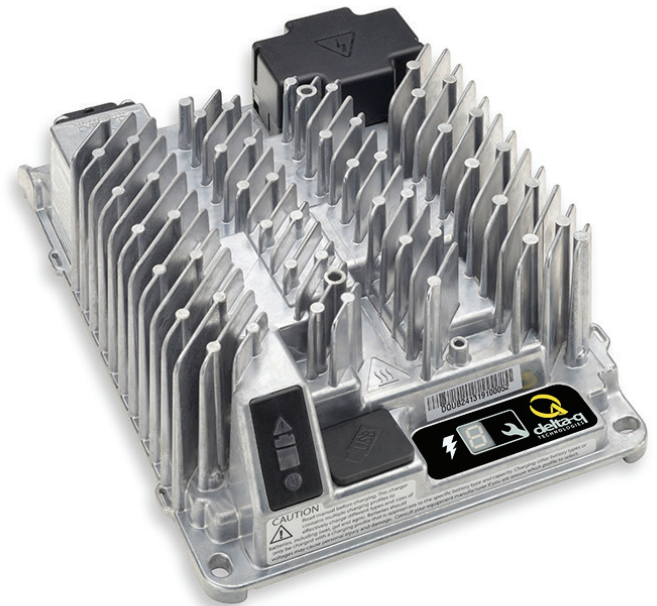


The Curtis Model 1622 high frequency battery chargers are portable and allow easy charging of industrial vehicle batteries from 24 VDC to 48 VDC using any standard outlet in the world.

Curtis Model 1622 battery chargers are ideal for use in material handling, airport, golf, aerial lift, sweeper/scrubber, utility, Light-On-Road and general industrial battery-powered vehicles.

FEATURES

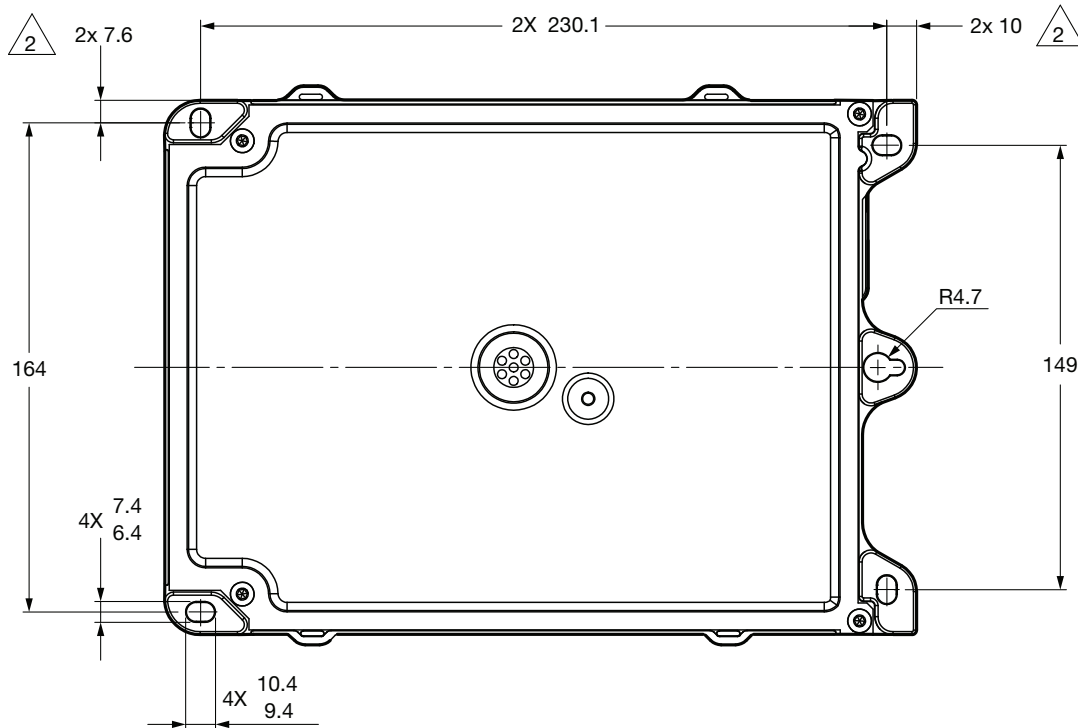
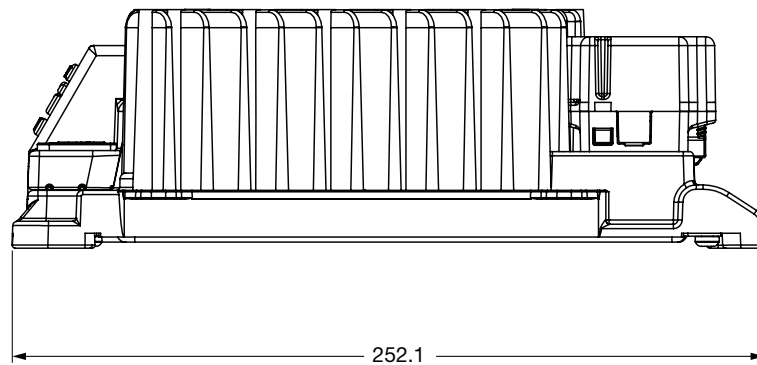
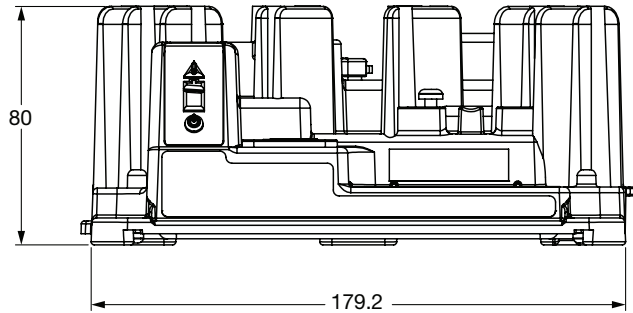
- ▶ Rugged, sealed aluminum die cast enclosure protects against extreme environments.
- ▶ Integrated USB port allows easy updating of software, charge profiles and retrieval of charge history.
- ▶ Wide range AC mains input (85–270 VAC) allows use of one charger anywhere in the world and eliminates the need to stock and service multiple models.
- ▶ Convection cooling eliminates the need for a cooling fan, thereby increasing reliability and eliminating the need for fan replacement/service.
- ▶ Advanced, high-frequency, switchmode design allows more efficient (90% typ), faster charging and optimal charging independent of battery type or condition.
- ▶ IP66 protection allows reliable operation in harsh environments.
- ▶ Power Factor of >0.98 minimizes utility surcharges and optimizes the use of AC line power.
- ▶ Select from an extensive list of approved charge algorithms (default I₁, I₂, U, I₃).
- ▶ The chargers can store 25 separate algorithms which can be selected to match the specific batteries in use, thereby eliminating the need for multiple models and resulting in lower operating costs.
- ▶ Lightweight and compact size allows on-board use and offers space advantages over ferro-resonant chargers in traditional off-board installations.



Model 1622

Battery Chargers

DIMENSIONS mm



Model 1622

Battery Chargers



SPECIFICATIONS

	Model 1622CS		
	2401	3601	4801
DC Output:			
DC Output Voltage - nominal	24 V	36 V	48 V
DC Output Voltage - maximum	36 V	54 V	72 V
DC Output Current - maximum	27.1 A	18.1 A	13.5 A
Interlock Current - maximum	1 A	1 A	1 A
Battery Type	Lead acid (Wet/AGM/GEL), Lithium Ion		
Reverse Polarity	Electronic protection – auto-reset		
Short Circuit	Electronic current limit		
AC Input			
AC Input Voltage - range	85–270 VAC		
AC Input Voltage - nominal	120 VAC / 240 VAC rms		
AC Input Frequency	45–65 Hz		
AC Input Current - maximum/nominal	7.3A @ 100 VAC, 6.0A @ 120 VAC, 3.1A @ 230 VAC, 2.9A @ 240 VAC		
AC Power Factor - nominal	>0.99 @ 120 VAC / >0.98 @ 230 VAC		
Mechanical			
Dimensions	25.2 x 18.6 x 8 cm (9.9" x 7.3" x 3.1")		
Weight	<3 kg (< 6.5 lbs)		
Environmental	Enclosure: IP66 (NEMA4)		
Operating Temperature	-40°C to +85°C (-40°F to +185°F), derated above 40°C (104°F)		
Storage Temperature	-40°C to +70°C (-40°F to 158°F)		
AC input connector	IEC320/C14 (requires country-specific cord)		
DC output connector	M6 threaded fasteners for ring terminals		
Regulatory			
Safety	UL1564, CSA 107.2, EN 60335-2-29, AS/NZ 60335		
Emissions	FCC Part 15/ICES 003 Class A, EN 55011, EN 61000-3-2, EN 61000-3-3		
Immunity	EN 61000-4-2/-3/-4/-5/-6/-11		

WARRANTY Two year limited warranty from time of delivery.

The Curtis Difference 
You feel it when you drive it



is a trademark of Curtis Instruments, Inc.

Specifications subject to change without notice

©2016 Curtis Instruments, Inc.

50276 Rev B 2/16