

MULTI VOLTAGE LED WORKLAMPS

MAGNETIC RECHARGEABLE LED WORKLAMP



CURTIS



DESCRIPTION

Heavy duty, rechargeable battery powered worklamp combines mobility and high performance in a compact design. High intensity LED flood beam means low operating costs and high efficiency.

APPLICATION

This worklamp can be used in any application and is ideal for use by service engineers in any industry.

FEATURES

- 5 x 3W LEDs provide 850 lumen wide flood beam.
- Small footprint.
- Magnetic base.
- Three operating modes: 100% intensity, 30% intensity and SOS flash function.
- High quality aluminium heatsink housing and polycarbonate lens.
- Stainless steel mounting bracket supplied.
- Rechargeable Lithium Battery with 3–4 hour run time, recharge <7 hours.
- Supplied with cigarette lighter charger, optional AC charger also available.

SPECIFICATIONS

- 195mm (H) x 100mm (D) x 115mm (W).
- 12–24 VDC.
- IP67 rated.
- Battery life: 500 charge/discharge cycles.
- Aluminium case, PMMA lens.
- Operating temperature: –30° C to + 55° C.
- Weight: 780g (approx).
- **CE** Recognised.

UK PART NUMBER

18438368 – Magnetic Worklamp
18438381 – UK Mains Adaptor

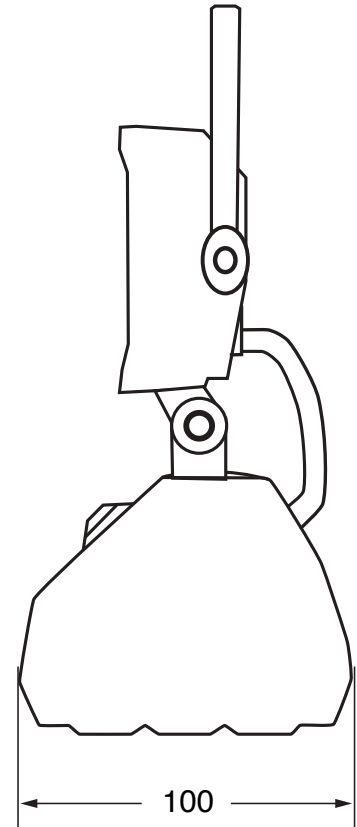
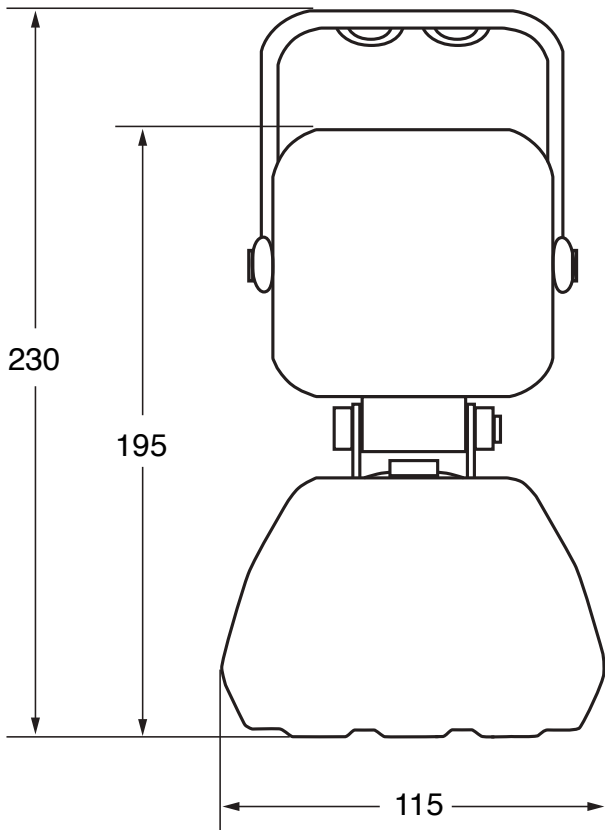
CURTIS INSTRUMENTS, (UK) LTD.
5 UPPER PRIORY STREET
NORTHAMPTON NN1 2PT, ENGLAND
TEL 44 (0) 1604-629755
FAX 44 (0) 1604-629876

MULTI VOLTAGE LED WORKLAMP

MODEL CHART

PART NUMBER	MODEL	LUMINOUS FLUX LM	POWER W	VOLTAGE RANGE	CURRENT (AMPS)	
					12V	24V
18438368	W/Lamp LED W Square 12-24V Mag Recharge	850	15	12-24 VDC	1	0.5
18438381	Mains Adaptor					

DIMENSIONS mm



WARRANTY Two year limited warranty from time of delivery.

The Curtis Difference 
 You feel it when you drive it