

MULTI VOLTAGE LED WORKLAMPS

12-24V LED WORKLAMP



CURTIS



FEATURES

- 1400 Lumen light intensity.
- 9 x 3W LED Flood Beam Flood Beam.
- High quality aluminium housing.
- ECR10 Approved.

SPECIFICATIONS

- 125mm x 108mm x 45mm (h, w, d).
- IP67 rated.

DESCRIPTION

This low power draw LED worklamp outputs an amazing 1400 lumens, providing incredible brightness. The durability and long, maintenance-free life of this lamp make it an affordable and reliable addition to your vehicle.

APPLICATION

This worklamp is designed for use in the materials handling market and will work with fully charged lead acid traction batteries.

UK PART NUMBER

18438439 12-24V

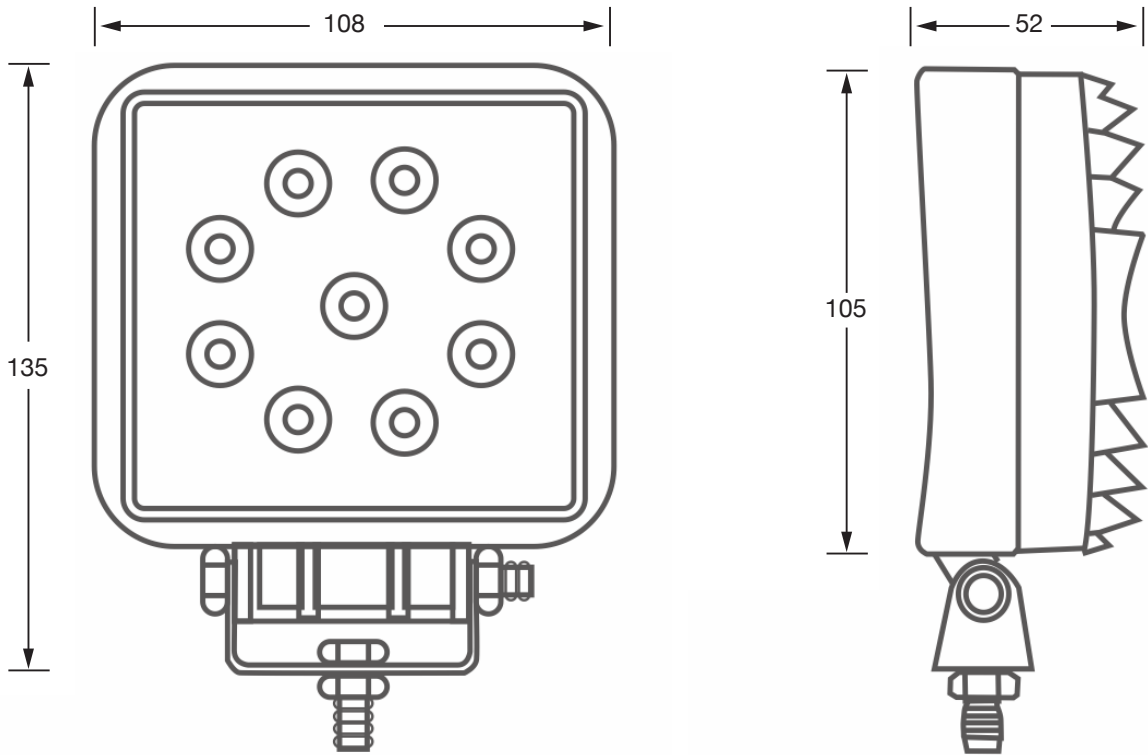
WARRANTY

Two year limited warranty from time of delivery.

CURTIS INSTRUMENTS, (UK) LTD.
5 UPPER PRIORY STREET
NORTHAMPTON NN1 2PT, ENGLAND
TEL 44 (0) 1604-629755
FAX 44 (0) 1604-629876

12-24V LED WORKLAMP

DIMENSIONS mm



FLOOD BEAM

