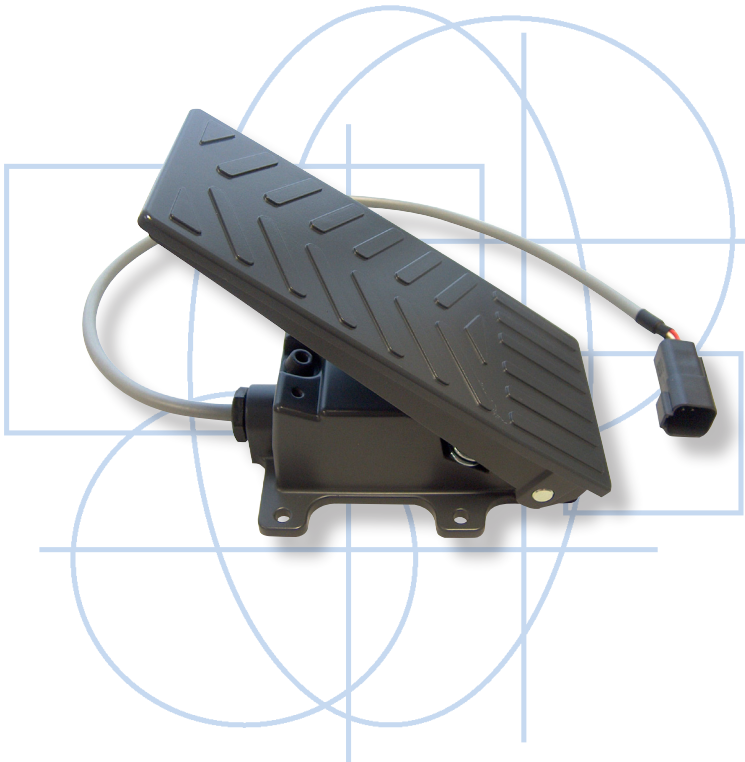


FOOT PEDAL ASSEMBLIES



CURTIS

MODEL FP8



DESCRIPTION

A high specification foot pedal throttle assembly, designed for tough environments like materials handling and ideal for use with Curtis AC motor speed controllers..

APPLICATION

The Curtis FP8 Foot Pedal Assembly is ideal for use with the Curtis AC family of motor controllers and options are available for use with internal combustion engine management controllers (EMC).

BENEFITS

- Mechanism; double springs, spring returned mechanism.
- Stepping angle; Abt. 20°.
- Stepping force; Abt. 15N to Abt. 60N (Abt. 1500gf to Abt.6000gf).
- Ingress protection – IP65.
- Life expectancy – Apx. 2 million operations.
- Hall effect solid state throttle.

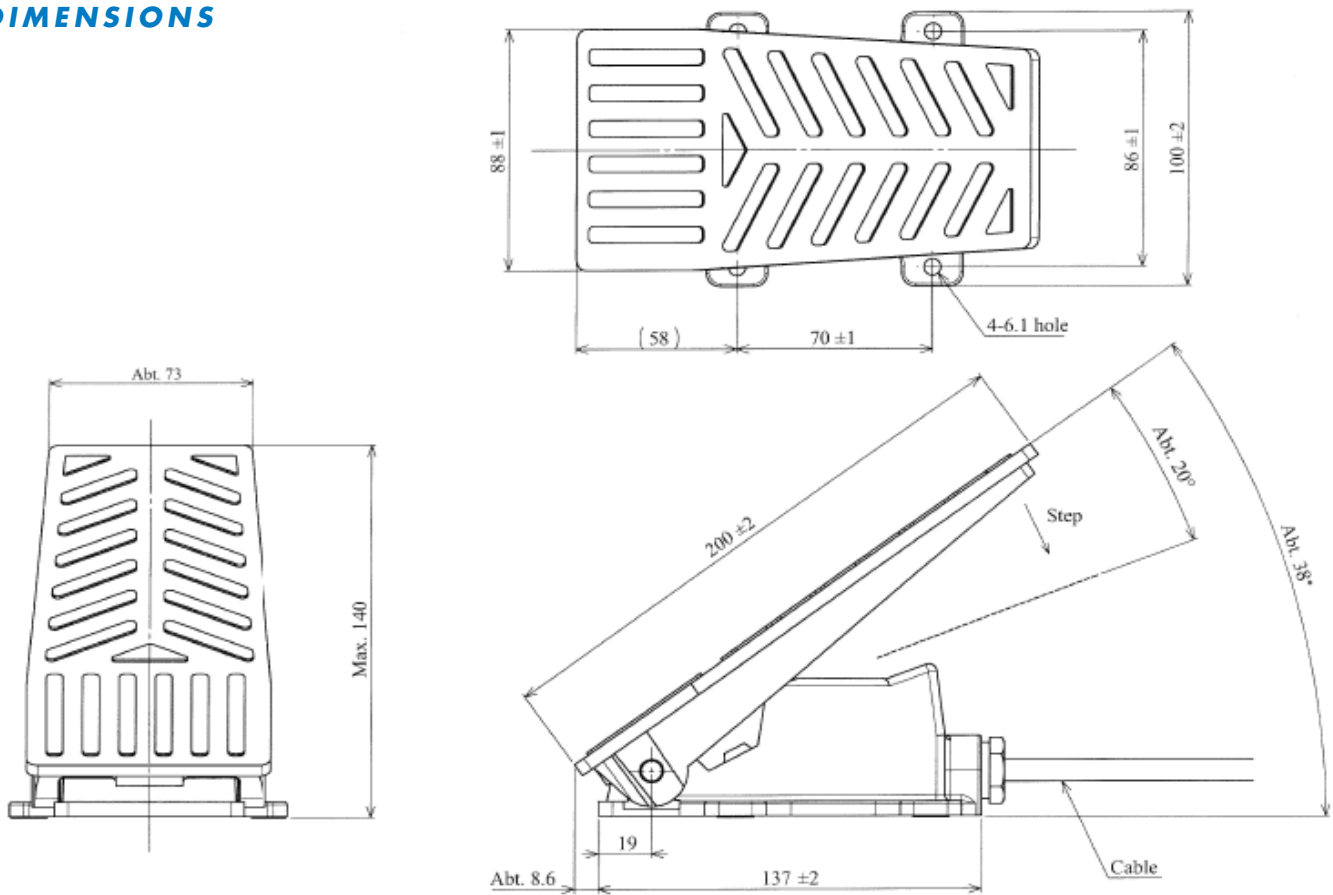
SPECIFICATIONS

- Input voltage – 5v DC +/- 10%
- Output voltage – 0.5v to 4.5v DC
- Current consumption – Apx. 7 mA
- Independent linearity tolerance +/- 3%
- Effective electrical angle apx. 45°
- More than 100K-OHM load resistance is recommended
- Cable length 600mm
- Dual output (optional)
- Deutch connector

CURTIS INSTRUMENTS, (UK) LTD.
5 UPPER PRIORY STREET
NORTHAMPTON NN1 2PT, ENGLAND
TEL 44 (0) 1604-629755
FAX 44 (0) 1604-629876

MODEL FP8

DIMENSIONS



INSTALLATION

Use connector type DT04-6P-E004

Pinouts for single channel with micro switch

Wiring instructions:

PIN 1	Black	B-
PIN 2	White	0-5 volts output
PIN 3	Red	+5 volt supply
PIN 4	Yellow	Micro Switch
PIN 5	Green	Micro Switch
PIN 6		NC

MODEL NUMBERS

Part Number	Description
18424026	FP8 Foot pedal 0-5v

WARRANTY 2 year limited warranty from time of delivery.

