

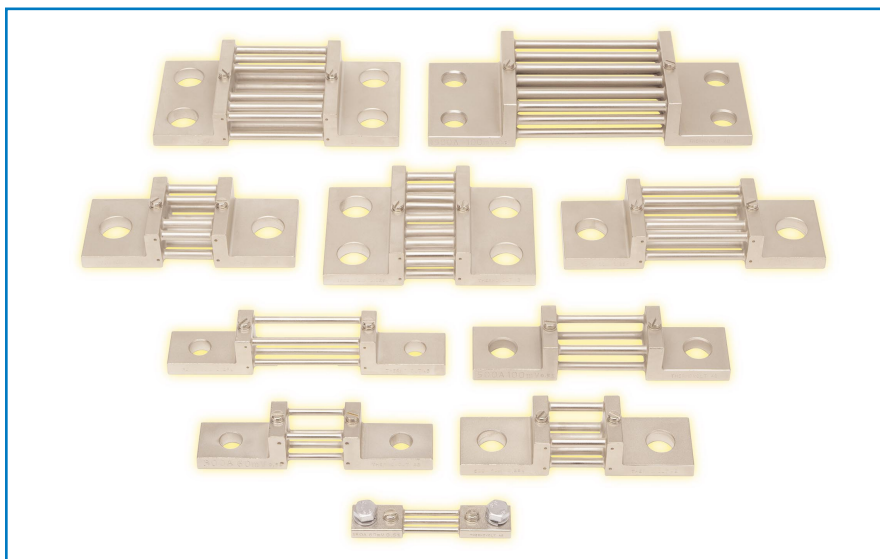
Thermovolt Shunts

Ideal for Telecommunications and Power Systems

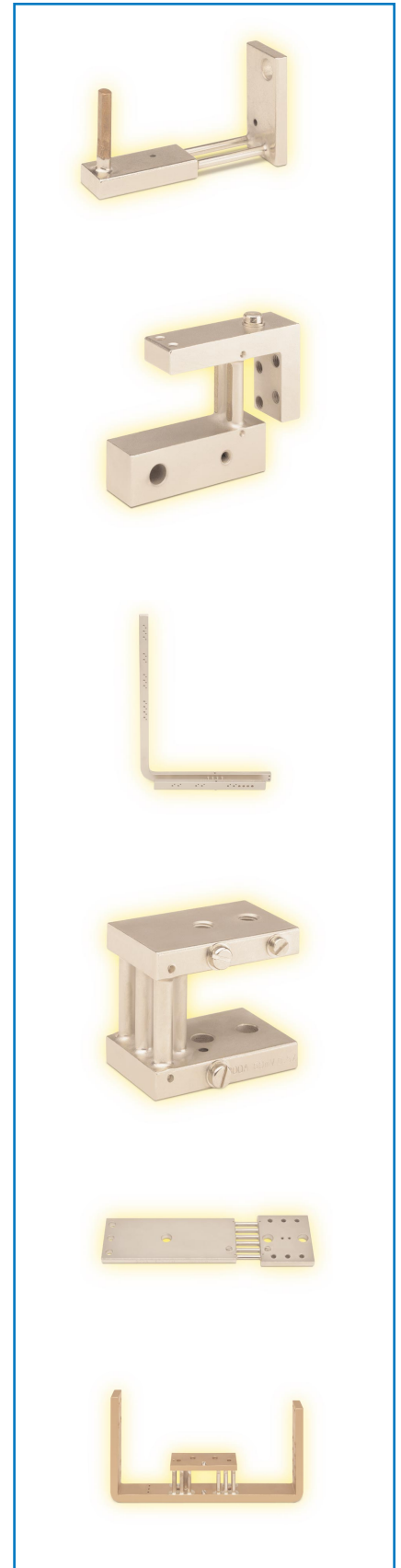
High quality Thermovolt DC Ammeter Shunts have been made in Sweden since 1955. They are low resistance resistors with a flat temperature coefficient. When current flows through, a small voltage proportional to the current flow develops across the shunt. This voltage reading is converted to Amps by the measuring system.

Thermovolt Shunts are designed, engineered and manufactured to exact specifications to offer the strongest possible price value and feature/performance standards:

- Thermovolt offers a full line of shunts, in standard and custom configurations up to 40,000 Amps.
- The shunts are covered with a thin nickel plating, .04 microns thick, to provide extremely high corrosion resistance.
- Standard Thermovolt shunts are designed for use with 50mV or 100mV circuits. The shunts are calibrated at the factory for mV rating of +/- 0.5% at up to 75% of continuous rated current. This allows for the selection of a shunt with 12% less current rating than competitive shunts rated at only 66%. Shunts with custom ratings are also available.
- The shunt terminal blocks are made of pure copper stock to ensure even current distribution over the entire shunt surface.
- The shunt resistance rods are made of manganin, silver soldered to the two end copper terminal blocks. To assure that each shunt will achieve the highest vibration and high temperature tolerance over a long period, the silver solder is applied at 620°C compared to using tin solder normally applied at 200°C.

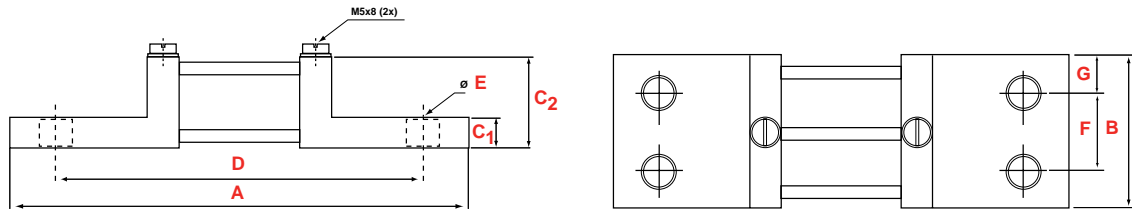


Stand alone DC Current shunts.



Integrated Bus Shunts

Shunt Technical Data



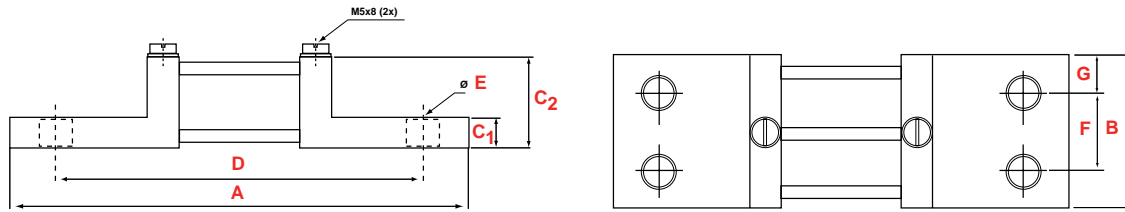
Curtis/Thermovolt Standard 30A - 2000 Amps (+/-0.5% Accuracy)

50 mV

Amp	Curtis #	Max Amp	mm (")							
			A	B	C1	C2	D	E	F	G
30	15052-30	22.5	91 (3.58)	20 (.79)	8 (0.32)	8 (0.32)	74 (2.92)	8 (.32)	-	-
40	15052-40	30	91 (3.58)	20 (.79)	8 (0.32)	8 (0.32)	74 (2.92)	8 (.32)	-	-
50	15052-50	37.5	91 (3.58)	20 (.79)	8 (0.32)	8 (0.32)	74 (2.92)	8 (.32)	-	-
75	15052-75	56.3	91 (3.58)	20 (.79)	8 (0.32)	8 (0.32)	74 (2.92)	8 (.32)	-	-
100	15053-10	75	91 (3.58)	20 (.79)	8 (0.32)	8 (0.32)	74 (2.92)	8 (.32)	-	-
125	15053-12.5	93.8	91 (3.58)	20 (.79)	8 (0.32)	8 (0.32)	74 (2.92)	8 (.32)	-	-
150	15053-15	113	91 (3.58)	20 (.79)	8 (0.32)	8 (0.32)	74 (2.92)	8 (.32)	-	-
200	15053-20	150	140 (5.52)	30 (1.18)	10 (0.39)	30 (1.18)	100 (3.94)	13.5 (0.53)	-	-
300	15053-30	225	140 (5.52)	30 (1.18)	10 (0.39)	30 (1.18)	100 (3.94)	13.5 (0.53)	-	-
400	15053-40	300	140 (5.52)	40 (1.58)	10 (0.39)	30 (1.18)	100 (3.94)	17.5 (0.69)	-	-
500	15053-50	375	140 (5.52)	40 (1.58)	10 (0.39)	30 (1.18)	100 (3.94)	17.5 (0.69)	-	-
600	15053-60	450	140 (5.52)	40 (1.58)	10 (0.39)	30 (1.18)	100 (3.94)	17.5 (0.69)	-	-
700	15053-70	525	140 (5.52)	50 (1.97)	10 (0.39)	30 (1.18)	100 (3.94)	17.5 (0.69)	-	-
800	15053-80	600	140 (5.52)	50 (1.97)	10 (0.39)	30 (1.18)	100 (3.94)	17.5 (0.69)	-	-
900	15053-90	675	160 (6.31)	60 (2.36)	10 (0.39)	40 (1.58)	110 (4.33)	22 (0.87)	-	-
1000	15054-10	750	160 (6.31)	60 (2.36)	10 (0.39)	40 (1.58)	110 (4.33)	22 (0.87)	-	-
1200	15054-12	900	160 (6.31)	90 (3.55)	10 (0.39)	40 (1.58)	110 (4.33)	17.5 (.69)	48 (1.89)	21 (0.83)
1500	15054-15	1125	160 (6.31)	90 (3.55)	10 (0.39)	40 (1.58)	110 (4.33)	17.5 (.69)	48 (1.89)	21 (0.83)
2000	15054-20	1500	160 (6.31)	90 (3.55)	10 (0.39)	40 (1.58)	110 (4.33)	17.5 (.69)	48 (1.89)	21 (0.83)
2500	15054-25	1875	160 (6.31)	120 (4.73)	10 (0.39)	40 (1.58)	110 (4.33)	22 (0.87)	60 (2.36)	30 (1.18)
3000	15054-30	2250	160 (6.31)	120 (4.73)	10 (0.39)	40 (1.58)	110 (4.33)	22 (0.87)	60 (2.36)	30 (1.18)
4000	15054-40	3000	160 (6.31)	120 (4.73)	10 (0.39)	40 (1.58)	110 (4.33)	22 (0.87)	60 (2.36)	30 (1.18)
5000	15054-50	3750	170 (7)	150 (5.91)	15 (0.59)	70 (2.76)	120 (4.73)	22 (0.87)	(2) 50 (1.97)	25 (.99)
6000	15054-60	4500	170 (7)	150 (5.91)	15 (0.59)	70 (2.76)	120 (4.73)	22 (0.87)	(2) 50 (1.97)	25 (.99)
8000	15054-80	6000	170 (7)	200 (7.88)	15 (0.59)	70 (2.76)	120 (4.73)	22 (0.87)	(3) 50 (1.97)	25 (.99)
10000	15055-10	7500	170 (7)	250 (9.85)	15 (0.59)	70 (2.76)	120 (4.73)	22 (0.87)	(4) 50 (1.97)	25 (.99)
12000	15055-12	9000	170 (7)	300 (11.82)	15 (0.59)	70 (2.76)	120 (4.73)	22 (0.87)	(5) 50 (1.97)	25 (.99)

100mV

Amp	Curtis #	Max Amp	mm (")							
			A	B	C1	C2	D	E	F	G
30	115052-30	22.5	121 (4.77)	20 (.79)	8 (0.32)	8 (0.32)	104 (4.1)	8 (.32)	-	-
40	115052-40	30	121 (4.77)	20 (.79)	8 (0.32)	8 (0.32)	104 (4.1)	8 (.32)	-	-
50	115052-50	37.5	121 (4.77)	20 (.79)	8 (0.32)	8 (0.32)	104 (4.1)	8 (.32)	-	-
75	115052-75	56.3	121 (4.77)	20 (.79)	8 (0.32)	8 (0.32)	104 (4.1)	8 (.32)	-	-
100	115053-10	75	121 (4.77)	20 (.79)	8 (0.32)	8 (0.32)	104 (4.1)	8 (.32)	-	-
125	115053-12.5	93.8	121 (4.77)	20 (.79)	8 (0.32)	8 (0.32)	104 (4.1)	8 (.32)	-	-
150	115053-15	113	121 (4.77)	20 (.79)	8 (0.32)	8 (0.32)	104 (4.1)	8 (.32)	-	-
200	115053-20	150	170 (6.7)	30 (1.18)	10 (0.39)	30 (1.18)	130 (5.12)	13.5 (0.53)	-	-
300	115053-30	225	170 (6.7)	30 (1.18)	10 (0.39)	30 (1.18)	130 (5.12)	13.5 (0.53)	-	-
400	115053-40	300	170 (6.7)	40 (1.58)	10 (0.39)	30 (1.18)	130 (5.12)	17.5 (0.69)	-	-
500	115053-50	375	170 (6.7)	40 (1.58)	10 (0.39)	30 (1.18)	130 (5.12)	17.5 (0.69)	-	-
600	115053-60	450	170 (6.7)	40 (1.58)	10 (0.39)	30 (1.18)	130 (5.12)	17.5 (0.69)	-	-
700	115053-70	525	170 (6.7)	50 (1.97)	10 (0.39)	30 (1.18)	130 (5.12)	17.5 (0.69)	-	-
800	115053-80	600	170 (6.7)	50 (1.97)	10 (0.39)	30 (1.18)	130 (5.12)	17.5 (0.69)	-	-
900	115053-90	675	190 (7.49)	60 (2.36)	10 (0.39)	40 (1.58)	140 (5.52)	22 (0.87)	-	-
1000	115054-10	750	190 (7.49)	60 (2.36)	10 (0.39)	40 (1.58)	140 (5.52)	22 (0.87)	-	-
1200	115054-12	900	190 (7.49)	90 (3.55)	10 (0.39)	40 (1.58)	140 (5.52)	17.5 (.69)	48 (1.89)	21 (0.83)
1500	115054-15	1125	190 (7.49)	90 (3.55)	10 (0.39)	40 (1.58)	140 (5.52)	17.5 (.69)	48 (1.89)	21 (0.83)
2000	115054-20	1500	190 (7.49)	90 (3.55)	10 (0.39)	40 (1.58)	140 (5.52)	17.5 (.69)	48 (1.89)	21 (0.83)



Curtis/Thermovolt
300A - 1200 Amps (+/-0.5% Accuracy)
CSI " Type E" mounting equivalent shunt family.

50 mV

Amp	Curtis #	Max Amp	CSI part #	Max Amp	mm (")							
					A	B	C1	C2	D	E	F	G
300	E15053-30	225	E300-50	200	150 (5.91)	50 (1.97)	10 (0.39)	30 (1.18)	120.6 (4.75)	11 (0.43)	25.4 (1)	12.3 (0.48)
400	E15053-40	300	E400-50	267	150 (5.91)	50 (1.97)	10 (0.39)	30 (1.18)	120.6 (4.75)	11 (0.43)	31.8 (1.25)	9.1 (0.36)
500	E15053-50	375	E500-50	333	150 (5.91)	50 (1.97)	10 (0.39)	30 (1.18)	120.6 (4.75)	11 (0.43)	31.8 (1.25)	9.1 (0.36)
600	E15053-60	450	E600-50	400	150 (5.91)	50 (1.97)	10 (0.39)	30 (1.18)	120.6 (4.75)	11 (0.43)	31.8 (1.25)	9.1 (0.36)
800	E15053-80	600	E800-50	533	150 (5.91)	60 (2.36)	10 (0.39)	30 (1.18)	120.6 (4.75)	11 (0.43)	38.1 (1.5)	10.95 (0.43)
1000	E15054-10	750	E1000-50	667	150 (5.91)	60 (2.36)	10 (0.39)	30 (1.18)	120.6 (4.75)	11 (0.43)	38.1 (1.5)	10.95 (0.43)
1200	E15054-12	900	E1200-50	800	150 (5.91)	60 (2.36)	10 (0.39)	30 (1.18)	120.6 (4.75)	11 (0.43)	38.1 (1.5)	10.95 (0.43)

100 mV

Amp	Curtis #	Max Amp	CSI part #	Max Amp	mm (")							
					A	B	C1	C2	D	E	F	G
300	E110053-30	225	E300-100	200	197.6 (7.78)	50 (1.97)	10 (0.39)	30 (1.18)	168.2 (6.62)	11 (0.43)	25.4 (1)	12.3 (0.48)
400	E110053-40	300	E400-100	267	197.6 (7.78)	50 (1.97)	10 (0.39)	30 (1.18)	168.2 (6.62)	11 (0.43)	31.8 (1.25)	9.1 (0.36)
500	E110053-50	375	E500-100	333	197.6 (7.78)	50 (1.97)	10 (0.39)	30 (1.18)	168.2 (6.62)	11 (0.43)	31.8 (1.25)	9.1 (0.36)
600	E110053-60	450	E600-100	400	197.6 (7.78)	50 (1.97)	10 (0.39)	30 (1.18)	168.2 (6.62)	11 (0.43)	31.8 (1.25)	9.1 (0.36)
800	E110053-80	600	E800-100	533	197.6 (7.78)	60 (2.36)	10 (0.39)	30 (1.18)	168.2 (6.62)	11 (0.43)	38.1 (1.5)	10.95 (0.43)
1000	E110054-10	750	E1000-100	667	197.6 (7.78)	60 (2.36)	10 (0.39)	30 (1.18)	168.2 (6.62)	11 (0.43)	38.1 (1.5)	10.95 (0.43)
1200	E110054-12	900	E1200-100	800	197.6 (7.78)	60 (2.36)	10 (0.39)	30 (1.18)	168.2 (6.62)	11 (0.43)	38.1 (1.5)	10.95 (0.43)

Curtis/Thermovolt
1000A - 3000 Amps (+/-0.5% Accuracy)
CSI " Type FL" mounting equivalent shunt family.

50 mV

Amp	Curtis #	Max Amp	CSI part #	Max Amp	mm (")							
					A	B	C1	C2	D	E	F	G
1000	FL15054-10	666	FL1000-50	666	96.2 (3.79)	50 (1.97)	10 (0.39)	30 (1.18)	76.2 (3)	10.5 (.41)	25.4 (1)	12.3 (0.48)
1200	FL15054-12	800	FL1200-50	800	96.2 (3.79)	50 (1.97)	10 (0.39)	30 (1.18)	76.2 (3)	10.5 (.41)	25.4 (1)	12.3 (0.48)
1500	FL15054-15	1000	FL1500-50	1000	92.9 (3.66)	50 (1.97)	10 (0.39)	30 (1.18)	72.9 (2.87)	10.5 (.41)	25.4 (1)	12.3 (0.48)
2000	FL15054-20	1333	FL2000-50	1333	89.9 (3.54)	50 (1.97)	10 (0.39)	30 (1.18)	69.9 (2.75)	10.5 (.41)	25.4 (1)	12.3 (0.48)
2500	FL15054-25	1666	FL2500-50	1666	86.5 (3.41)	50 (1.97)	10 (0.39)	30 (1.18)	66.5 (2.62)	10.5 (.41)	25.4 (1)	12.3 (0.48)
3000	FL15054-30	2000	FL3000-50	2000	83.5 (3.29)	50 (1.97)	10 (0.39)	30 (1.18)	63.5 (2.50)	10.5 (.41)	25.4 (1)	12.3 (0.48)

100mV

Amp	Curtis #	Max Amp	CSI part #	Max Amp	mm (")							
					A	B	C1	C2	D	E	F	G
1000	FL110054-10	666	FL1000-100	666	108.9 (4.29)	50 (1.97)	10 (0.39)	30 (1.18)	88.9 (3.50)	10.5 (.41)	25.4 (1)	12.3 (0.48)
1200	FL110054-12	800	FL1200-100	800	108.9 (4.29)	50 (1.97)	10 (0.39)	30 (1.18)	88.9 (3.50)	10.5 (.41)	25.4 (1)	12.3 (0.48)
1500	FL110054-15	1000	FL1500-100	1000	105.6 (4.16)	50 (1.97)	10 (0.39)	30 (1.18)	85.6 (3.37)	10.5 (.41)	25.4 (1)	12.3 (0.48)
2000	FL110054-20	1333	FL2000-100	1333	102.6 (4.04)	50 (1.97)	10 (0.39)	30 (1.18)	82.6 (3.25)	10.5 (.41)	25.4 (1)	12.3 (0.48)
2500	FL110054-25	1666	FL2500-100	1666	99.2 (3.90)	50 (1.97)	10 (0.39)	30 (1.18)	79.2 (3.12)	10.5 (.41)	25.4 (1)	12.3 (0.48)
3000	FL110054-30	2000	FL3000-100	2000	96.2 (3.79)	50 (1.97)	10 (0.39)	30 (1.18)	76.2 (3)	10.5 (.41)	25.4 (1)	12.3 (0.48)

Bolt-on Shunt Contactor

Greater Efficiency

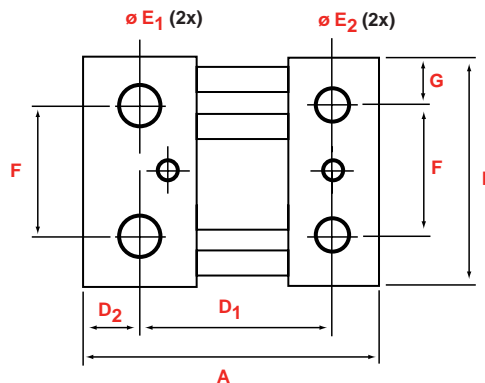
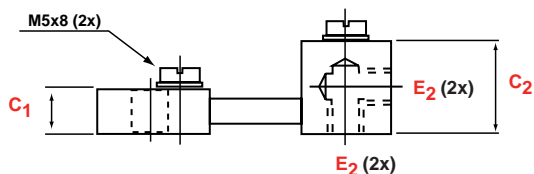
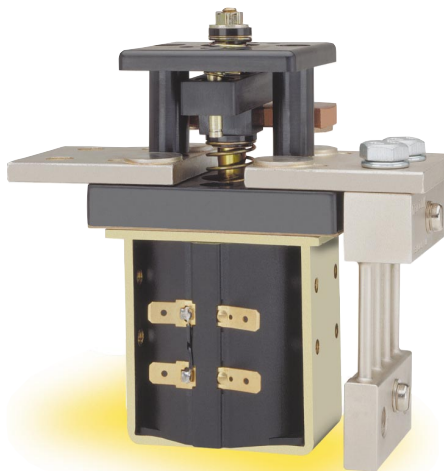
Instead of wiring, installing and fitting in two separate components, the Curtis Bolt-On Shunt Contactor acts as a single integrated component with a small footprint and optimum space efficiency. Mounting is fast and easy thanks to fewer connections and resistance points. The two-in-one unit eliminates installation steps and saves space.

Measurement of Voltage and Current is Consistently Accurate

The shunts are calibrated at the factory for mV rating of +/- 0.5% at up to 75% of continuous rated current. This allows for the selection of a shunt with 12% less current rating than competitive shunts rated at only 66%.

Standard or Custom Configurations Allow Wide Flexibility

These units are configured to meet your requirements by integrating the right shunt with the right contactor for an optimum combination, from 1 to 1,200 amps.



Curtis/Thermovolt 300A - 1800 Amps (+/-0.5% Accuracy) Bolt-on Shunts

30 mV

Max Amp (Contactor)	Curtis #	Shunt Max Amp	mm (") A	B	C1	C2	D1	D2	E1	E2	F	G
300(SW260)	BLT3053-30	300	65 (2.56)	50 (1.97)	10 (0.39)	20 (0.79)	42.5 (1.68)	12.5 (.49)	8.5 (0.34)	M8	28.7 (1.13)	10.65 (0.42)
500(SW500)	BLT3053-50	500	65 (2.56)	50 (1.97)	10 (0.39)	20 (0.79)	42.5 (1.68)	12.5 (.49)	8.5 (0.34)	M8	28.7 (1.13)	10.65 (0.42)
600(SW560)	BLT3053-60	600	65 (2.56)	63 (2.48)	10 (0.39)	20 (0.79)	42.5 (1.68)	12.5 (.49)	8.5 (0.34)	M8	28.7 (1.13)	17.15 (0.68)
600(SW600)	BLT3053-60	600	65 (2.56)	50 (1.97)	10 (0.39)	20 (0.79)	42.5 (1.68)	12.5 (.49)	8.5 (0.34)	M8	28.7 (1.13)	10.65 (0.42)
800(SW800)	BLT3053-80	800	65 (2.56)	63 (2.48)	10 (0.39)	20 (0.79)	42.5 (1.68)	12.5 (.49)	8.5 (0.34)	M8	44.5 (1.75)	9.25 (0.36)
1200(SW1000)	BLT3054-12	1200	75 (3)	76 (2.99)	10 (0.39)	25 (0.99)	47.5 (1.87)	15 (0.59)	10.5 (0.41)	M10	44.5 (1.75)	15.75 (0.62)
1800(SW1500)	BLT3054-18	1800	75 (3)	100 (3.94)	10 (0.39)	25 (0.99)	47.5 (1.87)	15 (0.59)	10.5 (0.41)	M10	44.5 (1.75)	27.75 (1.09)

www.curtisinst.com

CURTIS INSTRUMENTS, INC. • 200 KISCO AVENUE, MT. KISCO, NY 10549 USA TEL (914) 666-2971 • FAX (914) 666-2188

CURTIS is a registered trademark of Curtis Instruments, Inc.

Specifications subject to change without notice. Patent Pending.

©2003 Curtis Instruments, Inc.

50104 REV C 3/03