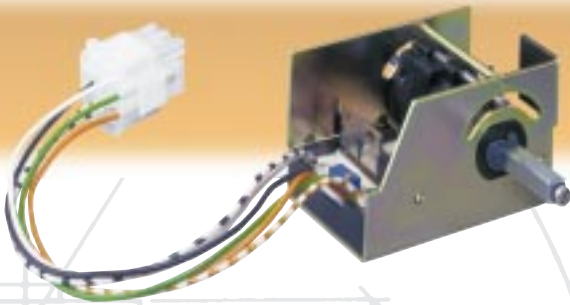


## THROTTLE ASSEMBLY

MODELS ET103/ET103M/ET108

# CURTIS



### DESCRIPTION

*Curtis throttle assemblies provide an analog 0-5V output proportional to throttle position for interfacing with Curtis PMC motor speed controllers. Easy to install, its major components are encapsulated to protect them from environmental stresses.*

### WARRANTY

One year from date of delivery.

### Application

These throttle assemblies are specifically designed for the rugged environment of material handling vehicles which require a 0-5V input for speed control.

### Features

- Hall effect technology and solid state contactor drivers provides higher reliability.
- Symmetrical throttle response in both forward and reverse directions.
- Solid state MOSFET drivers for forward and reverse contactors.
- Minimal deadband areas at both zero and full throttle positions.
- Environmental protection of major components through an epoxy layer over the circuit board.

### Specifications

Throttle output range: 0 to 5 Volts

Maximum throttle output: 5.3 Volts

Minimum throttle output: 0 Volts

Maximum deadband at zero throttle: 10 degrees

Maximum deadband at full throttle: 10 degrees

Forward/Reverse current: 1.5 amp max and 20Ma minimum

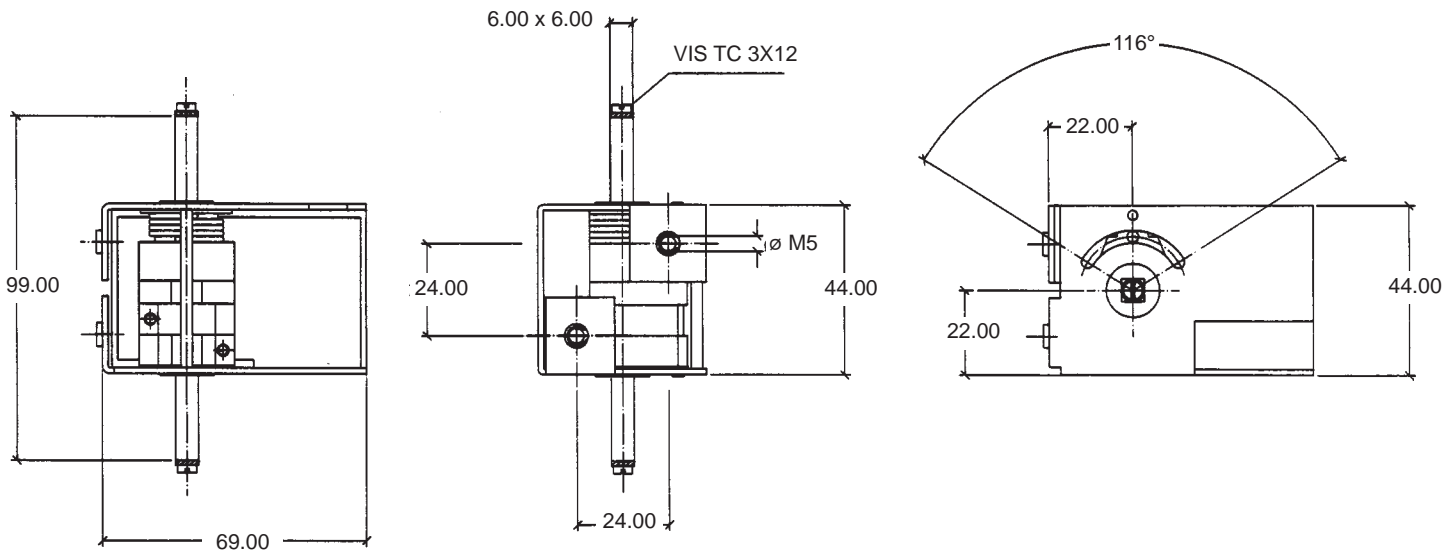
Symmetrical throttle response in both directions

### System Voltages

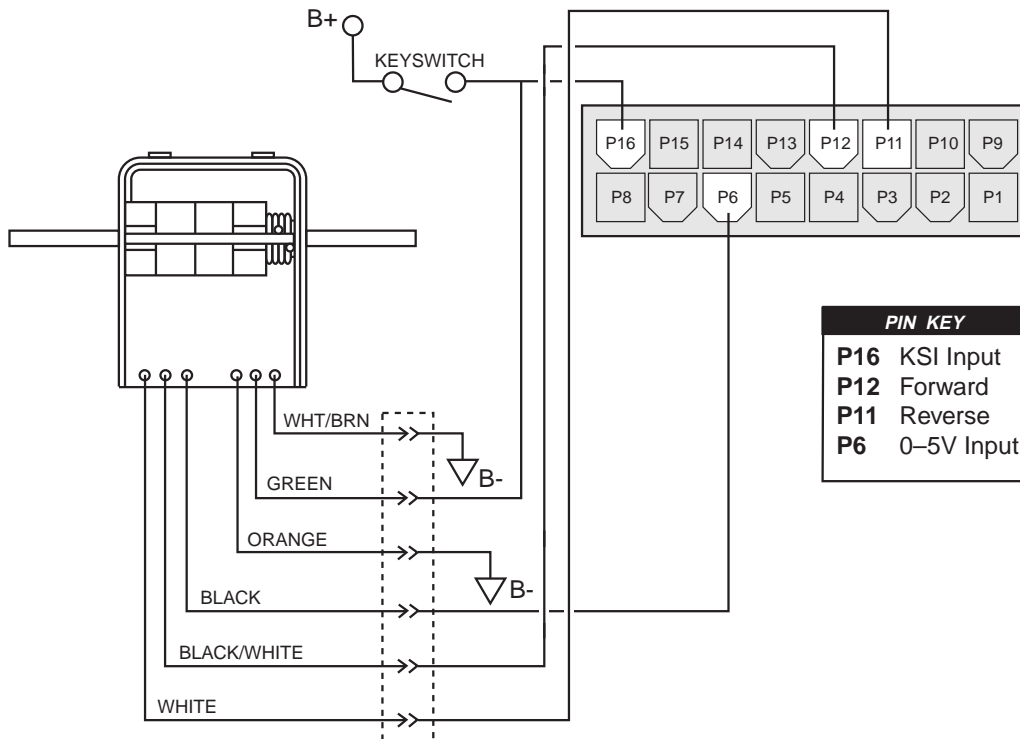
The Model ET103 and ET103M have operating voltage range of 13 to 46 Volts DC.

The Model ET108 has an operating voltage range of 13 to 58 Volts DC.

## Dimensions - mm



## Installation



**NOTE:** Wiring shown is representative of a Curtis Model 1207 Controller.